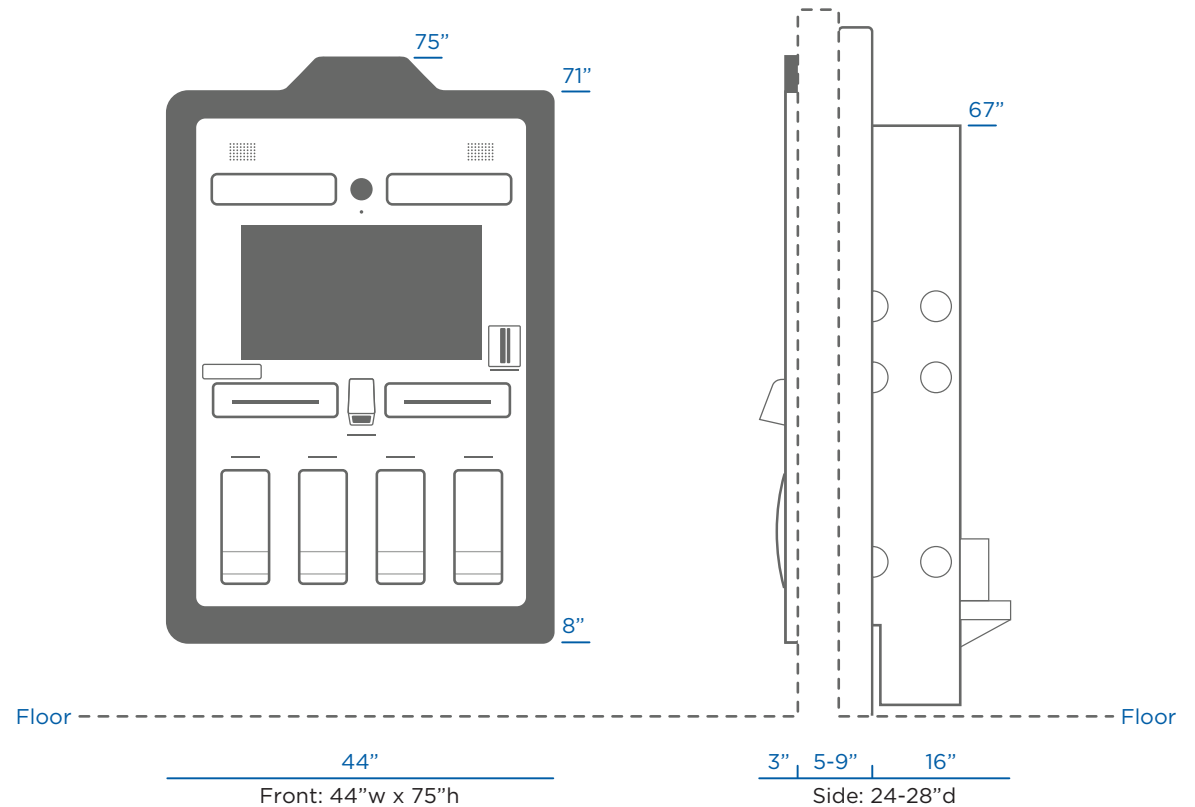


7000 Series Self-Service Terminal



The ITI 7000 Series Self-Service Terminal (SST) is a versatile solution that allows your customers 24/7 access to Motor Vehicle Agency transactions. Requiring only a footprint of 12 square feet, the 7000 Series SST processes high-volume transactions that require thermal transfer document printing, such as motor vehicle registrations, as well as other payment collection transactions. SSTs have the ability to process check, credit, and debit payments, according to agency needs.

- **Touchscreen Display**
- **Barcode Scanner**
1D, 2D, PDF 417, QR
640 scans per second
- **Registration Printers (2)**
Thermal transfer
300 dpi
4 inches per second
- **Media**
Thermal or direct transfer
Maximum 4" width
7000 inches
- **Document Printers**
Direct thermal
Wide format
- **Environmental Parameters**
Max operating temp 90°F
Min operating temp -10°F
- **Electrical**
120 VAC, 60 Hz
Maximum 7 amps
- **Measurements**
24-28" Depth
67" Height
44" Width
345 lbs