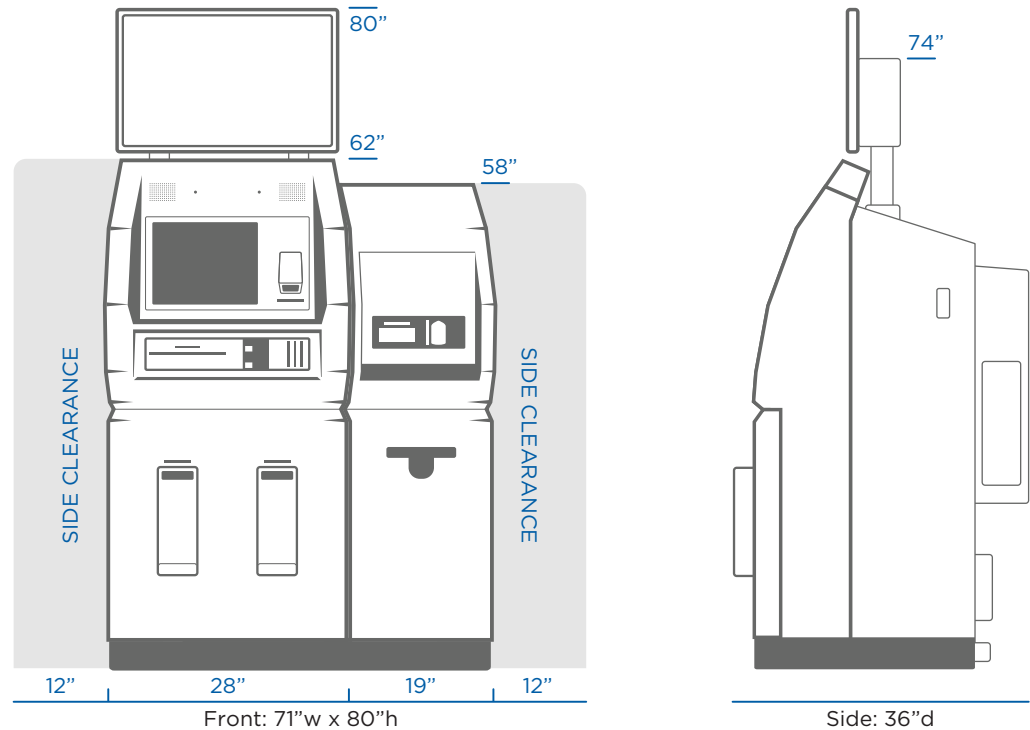


6500 Series Cash Self-Service Terminal



The ITI 6500 Series Self-Service Terminal (SST) is a versatile solution that allows your customers 24/7 access to Motor Vehicle Agency transactions. Requiring only a footprint of 12 square feet, the 6500 Series SST processes high-volume transactions that require thermal transfer document printing, such as motor vehicle registrations, as well as other payment collection transactions. SSTs have the ability to process cash, check, credit, and debit payments, according to agency needs.

- **Touchscreen Display**
- **Barcode Scanner**
1D, 2D, PDF 417, QR
640 scans per second
- **Card Reader**
Single-head magstripe
- **Registration Printers (2)**
Thermal transfer
300 dpi
4 inches per second
- **Media**
Thermal or direct transfer
Maximum 4" width
7000 inches
- **Document Printers**
Direct thermal
Wide format
- **Environmental Parameters**
Max operating temp 90°F
Min operating temp -10°F
- **Electrical**
120 VAC, 60 Hz
Maximum 9 amps
- **Measurements**
36" Depth
80" Height
47" Width
1065 lbs